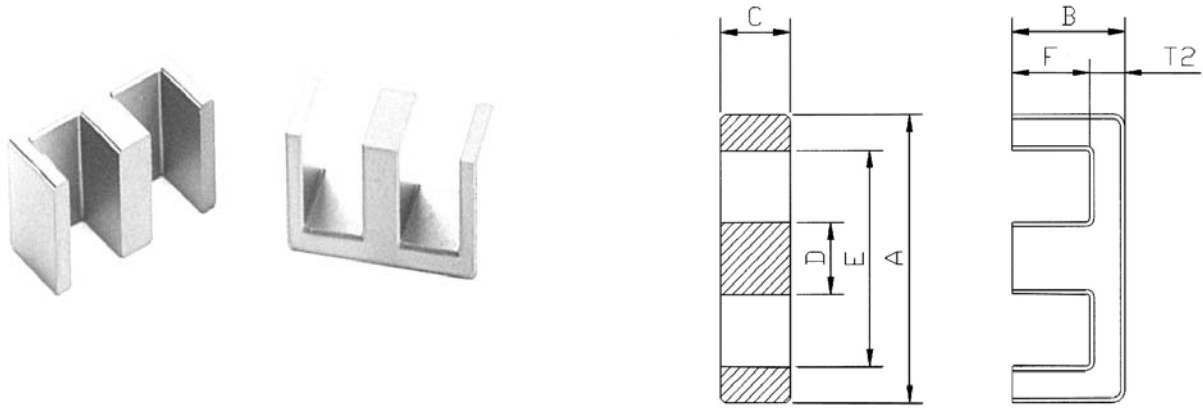


# EE Type

POWER  
TRANSFORMER  
CORES

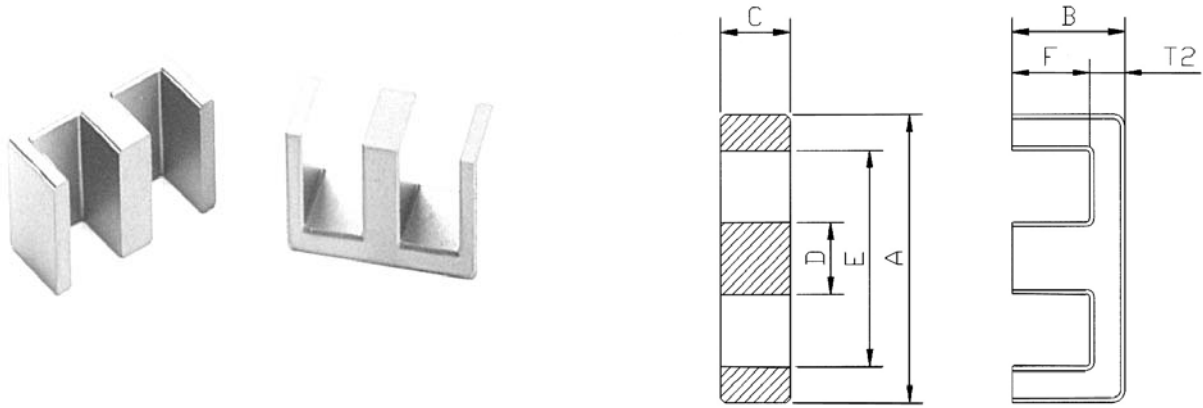


MODEL		DIMENSION (mm)						
		A	B	C	D	E	F	T2
Part No	EE 8.3	8.3±0.15	4.15±0.1	3.9±0.15	1.9±0.1	6.0±0.3	3.07±0.1	1.08
	EE 10.1	10.1±0.1	4.47±0.15	4.85±0.15	2.4±0.1	7.25±0.15	3.13±0.1	1.34
	EE 1011	10.2±0.3	5.5±0.15	4.75±0.15	2.4±0.2	7.9±0.2	4.2±0.15	1.3
	EE 1312	13.0±0.3	6.0±0.15	5.9±0.2	2.6±0.2	10.2±0.3	4.6±0.15	1.4
	EE 1313	12.6±0.4	6.5±0.2	3.7±0.3	3.7±0.3	9.2±0.3	4.5±0.3	2.0
	EE 1313C	12.6±0.4	6.9±0.2	3.9±0.3	3.7±0.3	9.2±0.3	4.9±0.3	2.0
	EE 1614	16.0±0.3	7.25±0.15	4.8±0.2	3.8±0.2	12.0±0.3	5.3±0.14	1.95
	EE 1614C	16.1±0.3	7.5±0.2	6.9±0.2	3.8±0.2	12.5±0.3	5.5±0.2	2.0

MODEL		Le(mm)	Ae(mm <sup>2</sup> )	Ve(mm <sup>3</sup> )	C <sub>1</sub> (mm)	AL Value(nH/N <sup>2</sup> )				
						YP2	YN2	YH5	YH8	YH10
Part No	EE 8.3	19.4	7.6	147.4	2.34	820	980		1450	
	EE 10.1	21.9	11.3	247.4	1.68	1040	1250		2050	
	EE 1011	26.0	11.1	288.6	2.28	840	980		1500	2500
	EE 1312	30.3	16.0	484.8	1.88	1200	1400		2200	
	EE 1313	29.3	13.5	395.5	2.17	900	1050		1700	2600
	EE 1313C	32.2	14.6	470	2.21					
	EE 1614	35.3	19.2	677.7	1.84	1300	1500		2750	3400
	EE 1614C	36.1	19.1	689	1.89	1700				

# EE Type

POWER  
TRANSFORMER  
CORES

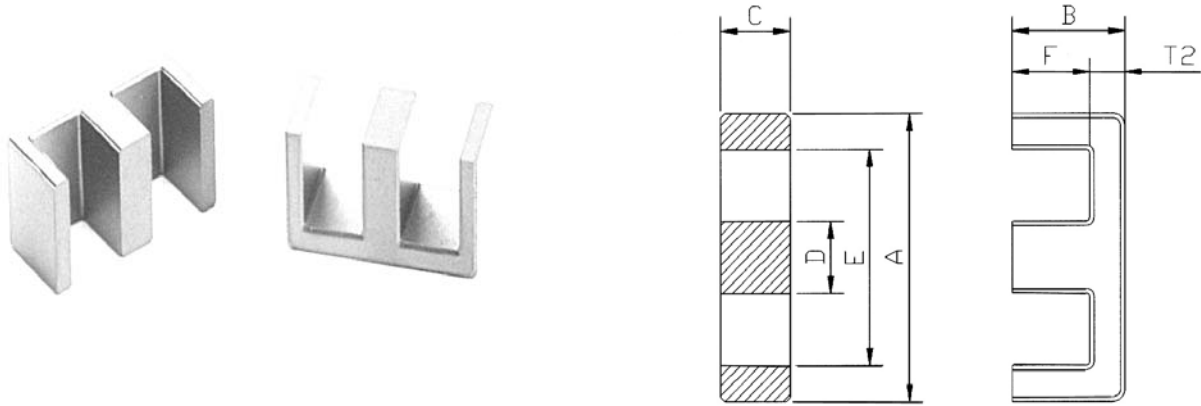


MODEL		DIMENSION (mm)						
		A	B	C	D	E	F	T2
Part No	EE 1614W	16.1±0.3	7.25±0.15	6.9±0.2	3.8±0.2	12.0±0.3	5.3±0.14	1.95
	EE 1616	16.1±0.4	8.05±0.15	4.5±0.2	4.55±0.15	11.3min	5.9±0.2	2.15
	EE 1625	16.0±0.4	12.35±0.1	4.9±0.2	4.0±0.2	12.0±0.3	10.3±0.1	2.05
	EE 1725	16.8±0.4	12.35±0.2	7.0±0.2	5.2±0.2	11.6±0.3	9.57±0.2	2.78
	EE 1916	19.0±0.3	8.05±0.2	5.0±0.2	4.5±0.25	14.5±0.3	5.65±0.2	2.4
	EE 1927	20.0±0.3	13.75±0.2	5.0±0.3	4.55±0.3	14.3±0.3	11.3±0.2	2.45
	EE 2017	20.3±0.4	8.4±0.2	4.8±0.2	4.8±0.2	15.7±0.4	6.2±0.2	2.2
	EE 2020	20.0±0.4	9.9±0.2	5.65±0.25	5.7±0.2	14.1min	7.2±0.2	2.7

MODEL		Le(mm)	Ae(mm <sup>2</sup> )	Ve(mm <sup>3</sup> )	C <sub>1</sub> (mm)	AL Value(nH/N <sup>2</sup> )				
						YP2	YN2	YH5	YH8	YH10
Part No	EE 1614W	35.3	37.5	1323	1.28	1500	1750		2600	
	EE 1616	37.3	20.5	764.6	1.82	1300	1500		2600	3550
	EE 1625	55.2	19.7	1087.4	2.8	900	1200		1900	2550
	EE 1725	53.1	36.9	1959.3	1.44	1470	1900		2900	
	EE 1916	39.9	23.0	917.7	1.74	1450	1700		2560	3850
	EE 1927	62.1	23.4	1453	2.65	1100	1450		2050	2750
	EE 2017	42.8	22.0	941.6	1.94	1300	1640		2600	3500
	EE 2020	46.0	32.1	1476.6	1.43	1600	1850		3600	4850

# EE Type

POWER  
TRANSFORMER  
CORES

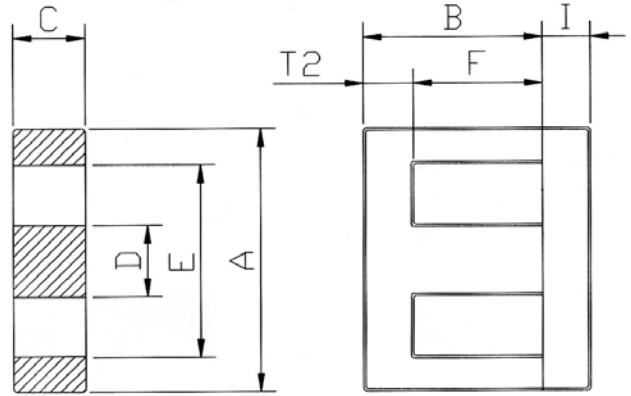
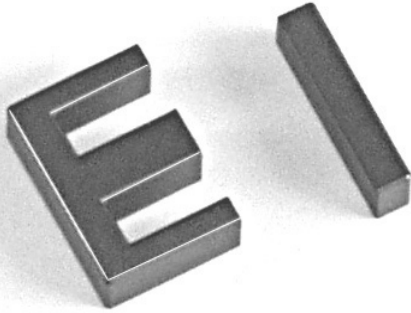


MODEL		DIMENSION (mm)						
		A	B	C	D	E	F	T2
Part No	EE 2218	22.0±0.4	9.55±0.25	5.8±0.2	5.8±0.1	16.0±0.3	5.5±0.15	4.05
	EE 2229	22.0±0.4	14.9±0.2	5.75±0.25	5.75±0.25	16.0±0.4	10.9±0.2	4.0
	EE 2520	25.4±0.5	9.9±0.25	6.35±0.25	6.35±0.25	19.05±0.3	6.7±0.2	3.2
	EE 2525	25.05±0.75	12.25±0.25	7.2±0.3	7.25±0.25	17.5min	8.9±0.25	3.35
	EE 2525W	25.05±0.75	12.55±0.25	10.75±0.3	7.25±0.25	17.85±0.45	8.95±0.25	3.6
	EE 2816	28.0±0.4	8.25±0.2	10.0±0.3	7.0±0.2	21.0±0.3	4.75±0.2	3.5
	EE 2821N	28.5±0.4	10.2±0.2	10.9±0.3	7.3±0.3	20.5±0.3	6.4±0.1	3.8
	EE 3327	33.5±0.4	13.95±0.25	12.7±0.1	9.7±0.3	24.7±0.3	9.65±0.25	4.3
	EE 5555A	55.65±0.55	27.5±0.3	20.6±0.4	16.95±0.25	38.1±0.6	18.85±0.35	8.65

MODEL		Le(mm)	Ae(mm <sup>2</sup> )	Ve(mm <sup>3</sup> )	C <sub>1</sub> (mm)	AL Value(nH/N <sup>2</sup> )				
						YP2	YN2	YH5	YH8	YH10
Part No	EE 2218	41.6	38.7	1610	1.08	2200	2700		4850	5910
	EE 2229	64.0	35.8	2292	1.79	1300	1600		3300	4100
	EE 2520	49.5	40.4	2000	1.23	2300	2800		4450	5700
	EE 2525	57.8	51.8	2994	1.11	2200	2500		4900	6500
	EE 2525W	57.8	77.3	4470	0.75	3150			7500	9700
	EE 2816	44.0	70.0	3080	0.63	4200				
	EE 2821N	51.7	83.0	4291	0.62	4050			9840	11100
	EE 3327	67.7	115.8	7839	0.58	3900				
	EE 5555A	123.0	152.0	43470	0.35	6000				

# EI Type

POWER  
TRANSFORMER  
CORES

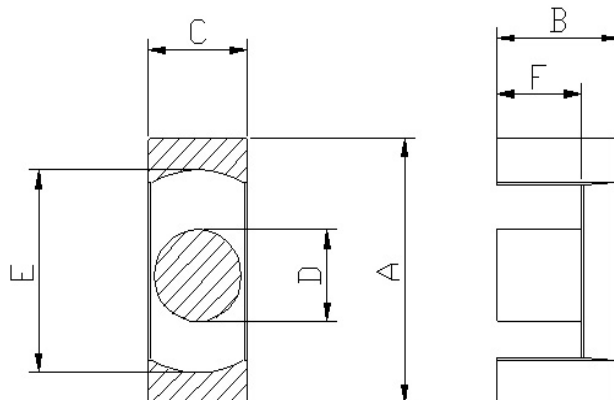
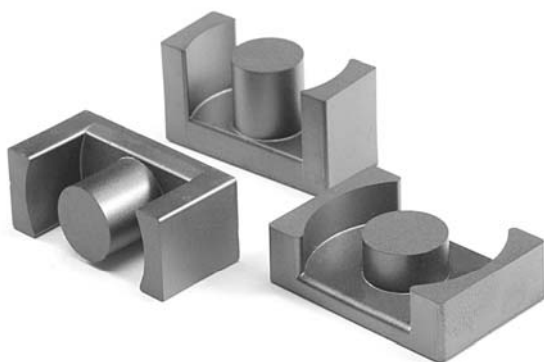


MODEL		DIMENSION (mm)							
		A	B	C	D	E	F	I	T <sub>2</sub>
Part No	EI 1614	16.0±0.3	12.7±0.2	4.8±0.2	4.0±0.2	11.8min	10.8±0.2	2.0±0.2	1.9
	EI 1916	19.0±0.3	13.55±0.2	4.85±0.25	4.85±0.25	14.0±0.3	11.3±0.3	2.35±0.2	2.25
	EI 2218	22.0±0.4	15.0±0.4	5.75±0.25	5.75±0.25	16.0±0.4	11.0±0.2	4.0±0.2	4.0
	EI 2519	25.0±0.3	15.9±0.3	6.75±0.25	6.5±0.3	19.1min	12.6min	2.75±0.15	3.3
	EI 2820	28.0±0.4	17.3±0.2	10.7±0.3	7.2±0.3	18.6min	12.8±0.2	3.5±0.15	4.5
	EI 3026	30.25±0.45	21.4±0.4	10.65±0.35	10.65±0.35	21.35±0.35	16.5±0.3	5.5±0.20	4.9

MODEL		L <sub>e</sub> (mm)	A <sub>e</sub> (mm <sup>2</sup> )	V <sub>e</sub> (mm <sup>3</sup> )	C <sub>1</sub> (mm)	AL Value(nH/N <sup>2</sup> )				
						YP2	YN2	YH5	YH8	YH10
Part No	EI 1614	35.9	18.8	674.9	1.9	1250	1500		2400	3450
	EI 1916	40.2	23.1	928.6	1.74	1300	1650		2900	4000
	EI 2218	42.5	37.0	1572.5	1.15	1950	2900		4350	5950
	EI 2519	48.0	39.7	1905.6	1.21	1900	2590		4300	5730
	EI 2820	49.5	84.4	4177.8	0.59	4000	4800		9000	12000
	EI 3026	58.8	109.0	6409.2	0.54	3900			7410	12870

# EER Type

POWER  
TRANSFORMER  
CORES

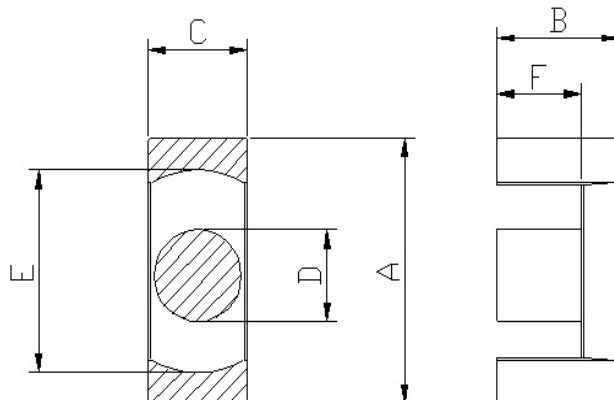
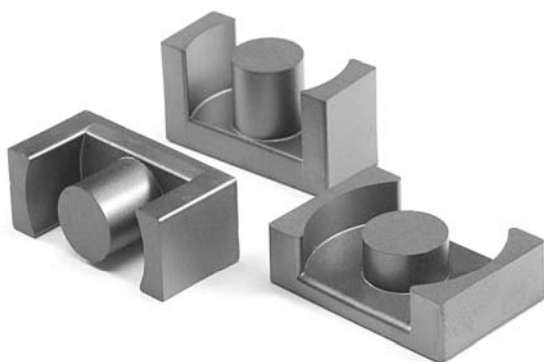


MODEL		DIMENSION (mm)						
		A	B	C	D	E	F	T2
Part No	EER 9.35	9.35±0.2	2.6±0.1	4.6±0.1	3.0±0.1	4.1±0.1	1.75±0.15	0.85
	EER 1105	10.85±0.2	2.45±0.05	5.9±0.1	4.1±0.1	8.8±0.1	1.58±0.07	0.87
	EER 1406	14.5±0.2	2.95±0.1	6.75±0.1	4.7±0.1	11.8±0.2	1.65±0.1	1.3
	EER 2820N	28.5±0.5	10.0±0.2	11.4±0.25	9.9±0.25	21.8min	6.5±0.2	3.5
	EER 2828	28.5±0.4	14.0±0.15	11.4±0.25	9.9±0.2	21.2min	9.65±0.2	4.35
	EER 2828N	28.5±0.5	14.0±0.2	11.4±0.25	9.9±0.2	21.8min	9.65±0.2	4.35
	EER 2829N	28.5±0.5	14.4±0.2	11.4±0.25	9.85±0.2	21.8min	10.05±0.25	4.35
EER 2834	28.75±0.35	17.1±0.2	11.4±0.25	9.9±0.2	21.2min	12.7±0.25	4.4	

MODEL		Le(mm)	Ae(mm <sup>2</sup> )	Ve(mm <sup>3</sup> )	C <sub>1</sub> (mm)	AL Value(nH/N <sup>2</sup> )				
						YP2	YN2	YH5	YH8	YH10
Part No	EER 9.35	14.2	8.47	120	1.67	750				
	EER 1105	14.7	11.9	174.9	1.23	960				
	EER 1406	19.0	17.8	338.2	1.08	1150			5670	6400
	EER 2820N	49.5	81.0	4010	0.611	3430				
	EER 2828	66.8	85.3	5698	0.78	3100				
	EER 2828N	67.1	82.7	5549	0.81	3150				
	EER 2829N	65.1	85.0	5400	0.77	2700				
EER 2834	78.3	84.7	6632	0.92	2700					

# EER Type

POWER  
TRANSFORMER  
CORES



MODEL		DIMENSION (mm)						
		A	B	C	D	E	F	T2
Part No	EER 2834N	28.5±0.5	16.9±0.25	11.4±0.25	9.9±0.2	21.8min	12.5±0.25	4.4
	EER 3016	30.0±0.5	8.0±0.15	20.0±0.3	11.0±0.2	26.0±0.4	5.3±0.2	2.7
	EER 3019	30.0±0.5	9.45±0.15	20.3±0.3	13.3±0.2	25.4±0.4	6.65±0.15	2.8
	EER 3530	35.0±0.8	15.3±0.2	11.3±0.2	11.3±0.2	25.3min	9.8±0.3	5.5
	EER 3541	35.0±0.5	20.7±0.3	11.3±0.3	11.3±0.3	25.3min	14.7±0.3	6.0
	EER 3542	35.0±0.5	21.3±0.2	11.3±0.3	11.3±0.3	25.3min	14.9min	6.4
	EER 3543	35.0±0.5	21.6±0.25	11.3±0.3	11.3±0.3	25.6min	15.6±0.25	6.0
	EER 4042	40.15±0.65	21.3±0.2	15.2±0.2	14.0±0.25	30.7min	15.3±0.2	6.0

MODEL		Le(mm)	Ae(mm <sup>2</sup> )	Ve(mm <sup>3</sup> )	C <sub>1</sub> (mm)	AL Value(nH/N <sup>2</sup> )				
						YP2	YN2	YH5	YH8	YH10
Part No	EER 2834N	78.5	82.0	6437	0.96	2550				
	EER 3016	43.2	109.0	4708	0.4	5100				
	EER 3019	48.2	132.7	6362	0.36	6100				
	EER 3530	73.9	108.1	7988	0.68	3800				
	EER 3541	91.6	111.0	10137	0.83	3000				
	EER 3542	91.5	109.0	9974	0.84	2500				
	EER 3543	93.6	111.0	10389	0.84	2800				
	EER 4042	96.3	158.0	15230	0.609	3600				