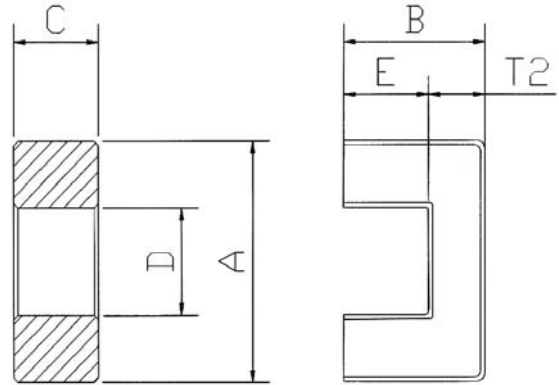


UU Type

LINE
FILTER
CORES

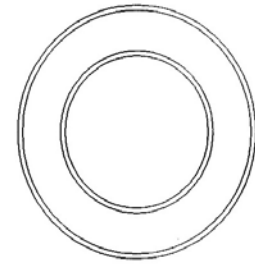
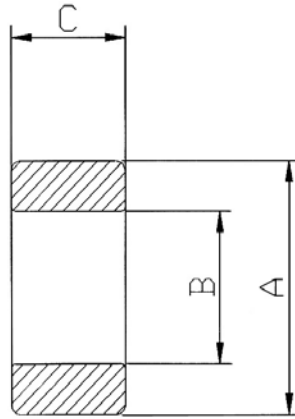


MODEL		DIMENSION (mm)					
		A	B	C	D	E	T ₂
Part No	UU 0913	8.5±0.15	6.35±0.1	3.45±0.1	3.95±0.15	4.1±0.1	2.25
	UU 1014	9.8±0.2	7.1±0.1	2.7±0.2	4.2±0.2	4.2±0.2	2.9
	UU 1116	10.5±0.3	7.9±0.2	5.0±0.3	5.5±0.3	5.4±0.2	2.5
	UU 1116C	10.5±0.3	7.9±0.2	2.8±0.3	5.5±0.3	5.4±0.2	2.5
	UU 1523	15.2±0.5	11.4±0.2	6.4±0.2	5.2±0.3	6.4±0.2	5.0
	UU 1620	16.0±0.2	10.0±0.2	6.0±0.2	6.7min	6.0±0.2	4.0
	UU 2132	20.8±0.6	15.85±0.35	7.45±0.25	6.3±0.3	8.3±0.3	7.55

MODEL		Le(mm)	Ae(mm ²)	Ve(mm ³)	C ₁ (mm)	AL Value(nH/N ²)				
						YP2	YN2	YH5	YH8	YH10
Part No	UU 0913	31.4	7.8	244.9	4.05				1110	1330
	UU 1014	34.2	7.7	263.3	4.46				1100	1310
	UU 1116	40.5	12.4	502.2	3.24		1050		1550	1850
	UU 1116C	40.5	7.0	283.5	5.7	450				
	UU 1523	53.1	32.0	1699.2	1.62	1600				
	UU 1620	51.0	25.9	1320.9	1.92				2700	3200
	UU 2132	68.9	54.8	3775.7	1.26	2000				

TR Type

LINE
FILTER
CORES

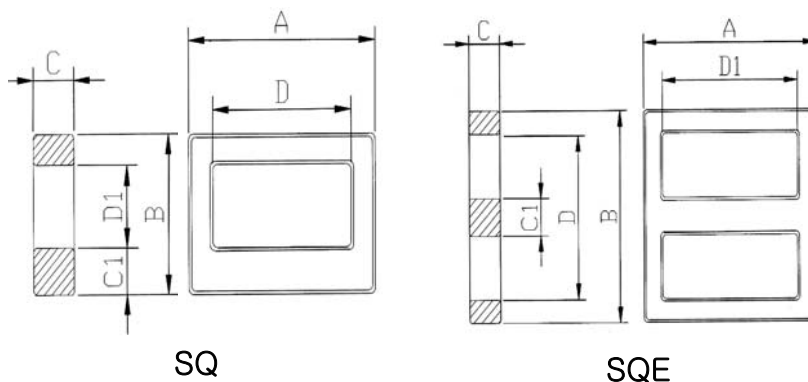
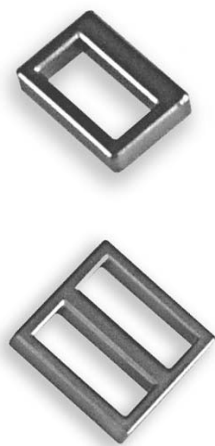


MODEL		DIMENSION (mm)					
		A	B	C	D	E	T ₂
Part No	TR 9.1	9.10±0.2	5.10±0.2	3.0±0.2			
	TR 10	10.0±0.3	6.0±0.3	3.5±0.25			
	TR 14	14.0±0.25	7.65±0.2	7.0±0.15			
	TR 18.2	18.2±0.3	9.8±0.3	5.0±0.3			
	TR 19	18.85±0.25	12.5±0.4	6.0±0.3			
	TR 25	25.0±0.4	15.0±0.4	12.0±0.4			

MODEL		Le(mm)	Ae(mm ²)	Ve(mm ³)	C ₁ (mm)	AL Value(nH/N ²)				
						YP2	YN2	YH5	YH8	YH10
Part No	TR 9.1	22.3	6.0	133.8	3.72	800				
	TR 10	24.9	7.2	179.2	3.48	1000	1200			
	TR 14	32.0	21.6	691.2	1.48				4500	
	TR 18.2	43.9	21.0	921.9	2.09					
	TR 19	49.5	19.5	965.2	2.54				2825	
	TR 25	62.8	60.0	3768	1.05				8250	10250

SQ/SQE Type

LINE
FILTER
CORES



MODEL		DIMENSION (mm)						
		A	B	C	C ₁	D	D ₁	T ₂
Part No	SQ 2114	21.3±0.3	14.6±0.25	4.6±0.25	4.3±0.2	16.1min	7.5min	
	SQ 2115	21.8±0.4	15.9±0.3	3.8±0.2	5.0±0.2	12.5min	6.8min	
	SQE 2424	24.4 ^{+0.5} _{-0.2}	24.4 ^{+0.5} _{-0.2}	4.0±0.3	4.0±0.3	19.1min	19.1min	
	SQE 2828	28.5±0.3	28.5±0.3	5.0±0.2	5.0±0.2	22.2min	22.2min	
	SQE 2930	29.0±0.4	30.0±0.4	5.0±0.3	5.0±0.25	22.6min	23.6min	
	SQE 3535	35.3±0.6	35.3±0.6	7.5±0.3	7.5±0.3	26.8min	26.8min	

MODEL		Le(mm)	Ae(mm ²)	Ve(mm ³)	C ₁ (mm)	AL Value(nH/N ²)			
						YP2	YN2	YH8	YH10
Part No	SQ 2114	52.1	12.1	630.4	4.0			2400	3000
	SQ 2115	53.5	14.6	781.1	4.07			2200	2800
	SQE 2424	61.0	17.8	1085.8	3.22			2870	3750
	SQE 2828	71.4	27.4	1956.4	2.46			3650	4750
	SQE 2930	74.5	27.9	2078.5	2.56			3300	4500
	SQE 3535	86.7	58.6	5080.6	1.41			6200	8400