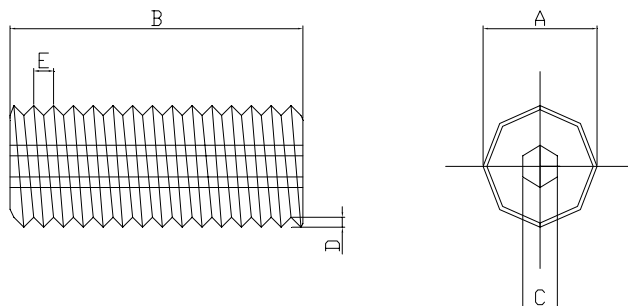


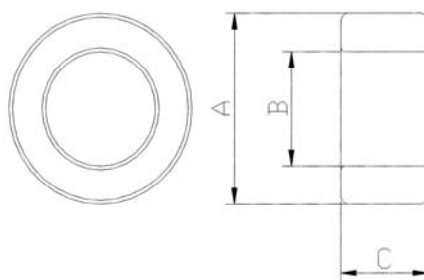
# OS/TR Type



Type 1

Material : ①YN-201 ②YL-9N ③YL-81

MODEL NO.	MATERIAL	Dimension(mm)					Type
		A	B	C	D	E	
OS 6×15 P0.75	②	6.0 ±0.03	15.0 ±0.3	2.65 <sup>+0.12</sup> / <sub>-0.05</sub>	0.35 <sup>+0.12</sup> / <sub>-0.05</sub>	0.75 ±0.05	1
OS 6×16 P0.75	②	6.0 ±0.03	16.0 ±0.3	2.65 <sup>+0.12</sup> / <sub>-0.05</sub>	0.35 <sup>+0.12</sup> / <sub>-0.05</sub>	0.75 ±0.05	1
OS 6×20 P0.75	Mn(YP2)	6.0 ±0.03	20.0 ±0.3	2.65 <sup>+0.12</sup> / <sub>-0.05</sub>	0.35 <sup>+0.12</sup> / <sub>-0.05</sub>	0.75 ±0.05	1



Type 2

Material : ①YN-201 ②YL-9N ③YL-81 ④YT-314 ⑤YH-20R

MODEL NO.	MATERIAL	Dimension(mm)					Type.
		A	B	C			
TR 4.5	②	4.5 ±0.1	1.25 ±0.05	3.0 ±0.15			2
TR 6×7	②	6.0 ±0.2	2.65 ±0.1	7.0 ±0.1			2
TR 10×6.3	Mn(YP2)	10.0 ±0.2	6.0 ±0.1	6.3 ±0.1			2