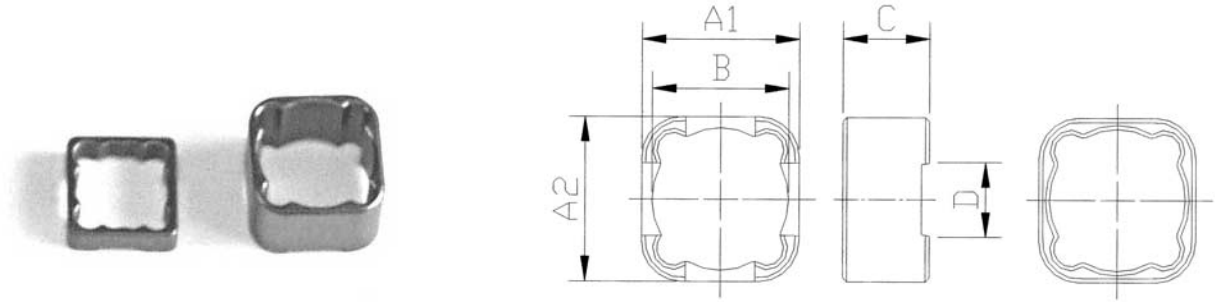


SMD(CASE) Type

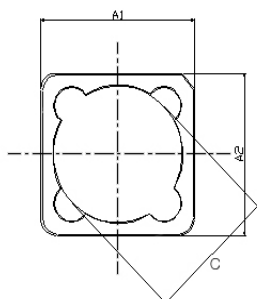
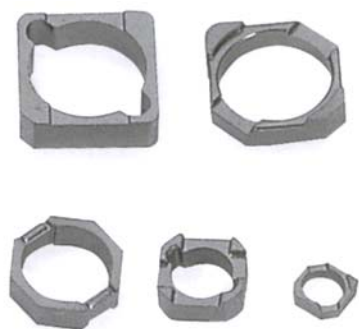


Type 1

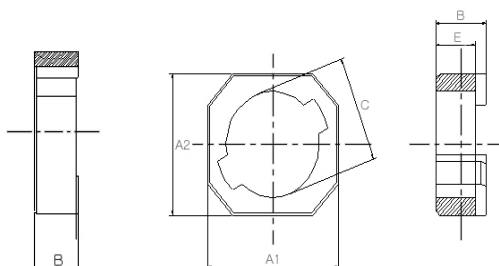
Material : ①YN-201 ②YL-9N ③YL-81 ④YT-314 ⑤YH-20R

MODEL NO.	MATERIAL	Dimension(mm)					Type
		A1	A2	B	C	D	
CS 7.3×7.3×2.7	④	7.3 ±0.1	7.3 ±0.1	5.6 ±0.2	2.7 ±0.1	3.0 ±0.2	1
CS 12×12×2.9	③	12.1 ±0.2	12.1 ±0.2	10.3 ±0.2	2.9 ±0.1		1
CS 12×12×3.5	④	12.1 ^{+0.2} _{-0.15}	12.1 ^{+0.2} _{-0.15}	10.3 ±0.2	3.5 ±0.1	5.5min	1
CS 12×12×3.8	④	12.1 ±0.2	12.1 ±0.2	10.3 ±0.2	3.8 ±0.1		1
CS 12×12×4.8	③ ④	12.1 ±0.2	12.1 ±0.2	10.3 ±0.2	4.8 ±0.1	5.4min	1
CS 12×12×4.8 신금형	④	12.1 ±0.2	12.1 ±0.2	10.3 ±0.2	4.8 ±0.1	5.5min	1
CS 12×12×4.9	④	12.1 ±0.15	12.1 ±0.15	10.3 ±0.15	4.9 ±0.1		1
CS 12×12×6.8	④	12.1 ±0.2	12.1 ±0.2	10.5 ±0.2	6.8 ±0.1	5.5min	1
CS 12×12×6.8	③	12.1 ^{+0.2} _{-0.15}	12.1 ^{+0.2} _{-0.15}	10.3 ±0.2	6.8 ±0.1		1
CS 12×12×6.8 신금형	④	12.1 ±0.2	12.1 ±0.2	10.3 ±0.25	6.8 ±0.1		1
CS 12×12×6.9	④	12.1 ±0.15	12.1 ±0.15	10.3 ±0.15	6.9 ±0.1		1
CS 12×12×8.5	④	12.1 ±0.2	12.1 ±0.2	10.5 ±0.2	8.5 ±0.1	5.4min	1
CS 12×4.55	④	12.0 ±0.25		10.5 ±0.25	4.55 ±0.1		1
CS 14.8×14.8×4.8	③	14.8 ±0.15	14.8 ±0.15	12.3 ±0.15	4.8 ±0.1	5.7Ref	1
CS 14.8×14.8×6.8	③	14.8 ±0.15	14.8 ±0.15	12.3 ±0.15	6.8 ±0.1	5.7Ref	1

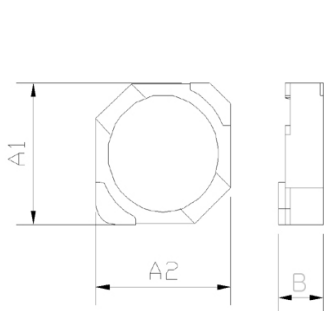
SMD(CASE) Type



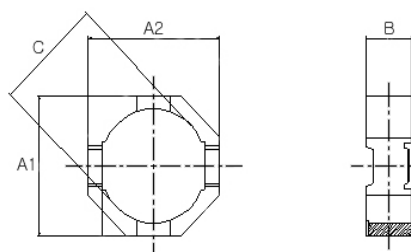
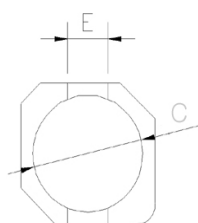
Type 2



Type 3



Type 4



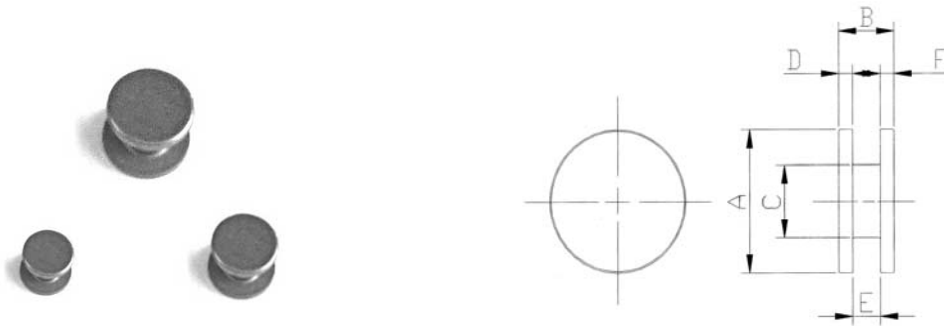
Type 5

Material : ①YN-201 ②YL-9N ③YL-81 ④YN-400 ⑤YN-650 ⑥YN-800 ⑦YN-314 ⑧YH-20R

MODEL NO.	MATERIAL	Dimension(mm)					Type
		A1	A2	B	C	E	
CS 3.0×3.0×0.725	⑥	3.0 ±0.07	3.0 ±0.07	0.725 ±0.07	2.40 ±0.07	0.575 ±0.07	4
CS 3.0×3.0×0.875	⑥	3.0 ±0.07	3.0 ±0.07	0.875 ±0.07	2.4 ±0.07	0.725 ±0.05	4
CS 3.0×3.0×1.2	⑥	3.0 ±0.07	3.0 ±0.07	1.2 ±0.07	2.4 ±0.07	1.05 ±0.05	4
CS 3.8×3.8×1.35	⑥	3.8 ±0.1	3.8 ±0.1	1.35 ±0.1	3.1 ±0.1	1.15 ±0.1	4
CS 4.9×4.9×2.7	④	4.9 ±0.1	4.9 ±0.1	2.7 ±0.1	4.1 ±0.1	1.95 ±0.1	3
CS 6.7×6.7×2.5	①	6.7 ±0.1	6.7 ±0.1	2.5 ±0.1	5.5 ±0.15	3.0 ±0.1	4
CS 8.0×8.0×2.9	⑤	8.0 ±0.15	8.0 ±0.15	2.9 ±0.1	6.5 ±0.0		5
CS 10×10×2.85	④	10.0 ±0.1	10.0 ±0.1	2.8 ±0.1	8.5 ±0.1	2.7 ±0.1	2
CS 10×10×2.25	⑤	10.0 ±0.3	10.0 ±0.3	2.25 ±0.1	8.25 ±0.1	1.75 ±0.1	4

SMD(DRUM) Type

Ni-Zn
FERRITE
CORES



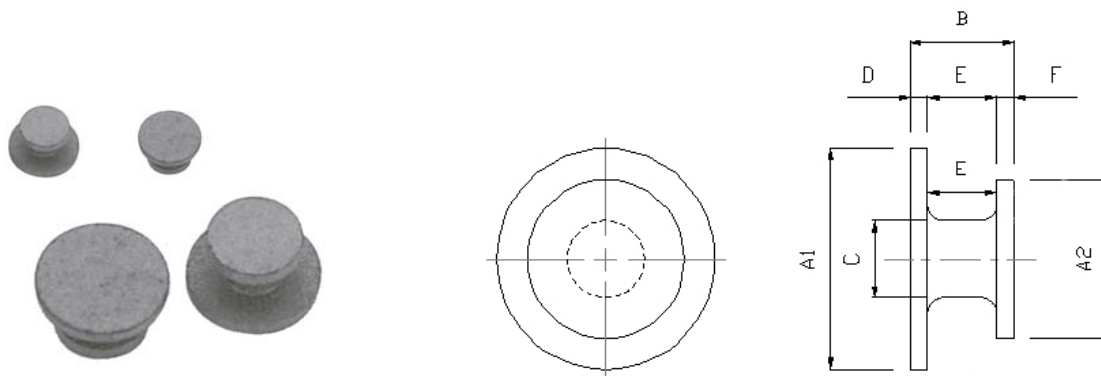
Type 1

Material : ①YN-201 ②YL-9N ③YL-81 ④YT-314

MODEL NO.	MATERIAL	Dimension(mm)					Type
		A	B	C	D,F	E	
DR 5.35×2.7 C:2.5	②	5.35 -0.2	2.7 ± 0.1	2.5 ± 0.1	0.6 ± 0.1	1.5 ± 0.1	1
DR 8×2.2(HR)	②	8.0 ± 0.15	2.2 ± 0.15	4.5 ± 0.15	0.6 ± 0.1	1.0 ± 0.15	1
DR 8×4.7 C:4.4	②	8.0 ± 0.15	4.7 ± 0.15	4.4 ± 0.1	1.0 ± 0.15	2.7 ± 0.2	1
DR 8×7 C:5.5	②	8.0 ± 0.1	7.0 ± 0.1	5.5 ± 0.1	1.0 ± 0.1	5.0 ± 0.1	1
DR 9.8×3.5 C:5.0	②	9.8 ± 0.1	3.5 ± 0.1	5.0 ± 0.1	0.8 ± 0.1	1.9 ± 0.1	1
DR 9.8×4.9 C:5.0	②	9.8 ± 0.1	4.9 ± 0.1	5.0 ± 0.1	1.1 ± 0.1	2.7 ± 0.1	1
DR 9.8×4.9 C:5.5	②	9.8 ± 0.1	4.9 ± 0.1	5.5 ± 0.1	1.1 ± 0.1	2.7 ± 0.1	1
DR 9.8×5.8 C:5.1	②	9.8 ± 0.1	5.8 ± 0.1	5.1 ± 0.1	1.05 ± 0.1	3.7 ± 0.1	1
DR 9.8×6.9 C:5.1	②	9.8 ± 0.1	6.9 ± 0.1	5.1 ± 0.1	1.1 ± 0.1	4.7 ± 0.1	1
DR 9.8×6.9 C:6.2	②	9.8 ± 0.1	6.9 ± 0.1	6.2 ± 0.1	1.1 ± 0.1	4.7 ± 0.1	1
DR 9.8×6.9 C:6.5	②	9.8 ± 0.1	6.9 ± 0.1	6.5 ± 0.1	1.1 ± 0.1	4.7 ± 0.1	1
DR 9.8×6.9 C:7.0	①	9.8 ± 0.1	6.9 ± 0.1	7.0 ± 0.1	1.1 ± 0.1	4.7 ± 0.1	1
DR 9.8×6.9 C:5.5	②	9.8 ± 0.1	6.9 ± 0.1	5.5 ± 0.1	1.1 ± 0.1	4.7 ± 0.1	1
DR 9.8×8.6 C:6.2	②	9.8 ± 0.1	8.6 ± 0.1	6.2 ± 0.1	1.1 ± 0.1	6.4 ± 0.1	1
DR 9.8×8.6 C:5.0	②	9.8 ± 0.1	8.6 ± 0.1	5.0 ± 0.1	1.1 ± 0.1	6.4 ± 0.1	1
DR 10×3.0 C:5.0	②	10.0 -0.4	3.0 ± 0.1	5.0 ± 0.1	0.7 ± 0.1	1.6 ± 0.1	1
DR 9.8×3.9 C:5.0	②	9.8 ± 0.1	3.9 ± 0.1	5.0 ± 0.1	0.95 ± 0.1	2.0 ± 0.1	1
DR 12×4.0 C:5.9	②	12.0 -0.3	4.0 ± 0.1	5.9 ± 0.1	0.85 ± 0.1	2.3 ± 0.1	1
DR 12×4.9 C:6.0	②	12.0 -0.3	4.9 ± 0.15	6.0 ± 0.15	1.15 ± 0.15	2.6 ± 0.15	1
DR 12×6.7 C:6.5	②	12.0 -0.3	6.7 ± 0.1	6.5 ± 0.1	1.1 ± 0.1	4.5 ± 0.1	1
DR 14×6 C:7.0	②	14.0 ± 0.15	6.0 ± 0.1	7.0 ± 0.1	1.15 ± 0.15	3.7 ± 0.1	1
DR 14×7.5 C:7.0	②	14.0 $\begin{smallmatrix} +0.1 \\ -0.2 \end{smallmatrix}$	7.5 ± 0.1	7.0 ± 0.15	1.3 ± 0.1	4.9 ± 0.1	1
DR 14×9.5 C:7.65	②	14.0 -0.3	9.5 ± 0.3	7.65 ± 0.3	2.0 ± 0.2	5.5 ± 0.25	1

SMD(DRUM) Type

Ni-Zn
FERRITE
CORES



Type 1

Material : ①YN-201 ②YL-9N ③YL-81 ④YN-400 ⑤YN-202 ⑥YN-800 ⑦YN-209

MODEL NO.	MATERIAL	Dimension(mm)						Type
		A1	A2	B	C	D,F	E	
DR 2.8-2.0×0.85	⑥	2.8 ±0.07	2.0 ±0.07	0.85 ±0.07	0.88 ±0.05	0.25 ±0.07	0.35 ±0.07	1
DR 2.8-2.0×1.05	④	2.8 ±0.07	2.0 ±0.07	1.05 ±0.05	1.2 ±0.05	0.275 ±0.05	0.5 ±0.05	1
DR 2.8-2.0×1.35	⑥	2.8 ±0.1	2.0 ±0.1	1.35 ±0.1	1.2 ±0.1	0.3 ±0.1	0.75 ±0.1	1
DR 3.5-2.6×1.5	⑥	3.5 ±0.08	2.6 ±0.07	1.5 ±0.07	1.05 ±0.07	0.4 ±0.05	0.7 ±0.05	1
DR 6.7-4.8×2.7	①	6.7 -0.15	4.8 ±0.07	2.7 ±0.07	2.3 ±0.07	0.5 ±0.1	1.7 ±0.07	1
DR 8.0-5.8×3.7	⑤	8.0 ±0.1	5.8 ±0.1	3.7 ±0.1	3.6 ±0.1	0.8 ±0.1	2.1 ±0.1	1
DR 9.4-8.0×4.1	④	9.4 ±0.1	8.0 ±0.1	4.1 ±0.1	5.0 ±0.1	1.0 ±0.1	2.0 ±0.1	1
DR 9.8-7.6×2.65	⑤	9.8 -0.15	7.6 -0.15	2.65 ±0.1	4.0 ±0.1	0.85 ±0.1	0.95 ±0.1	1